



FT 221/1

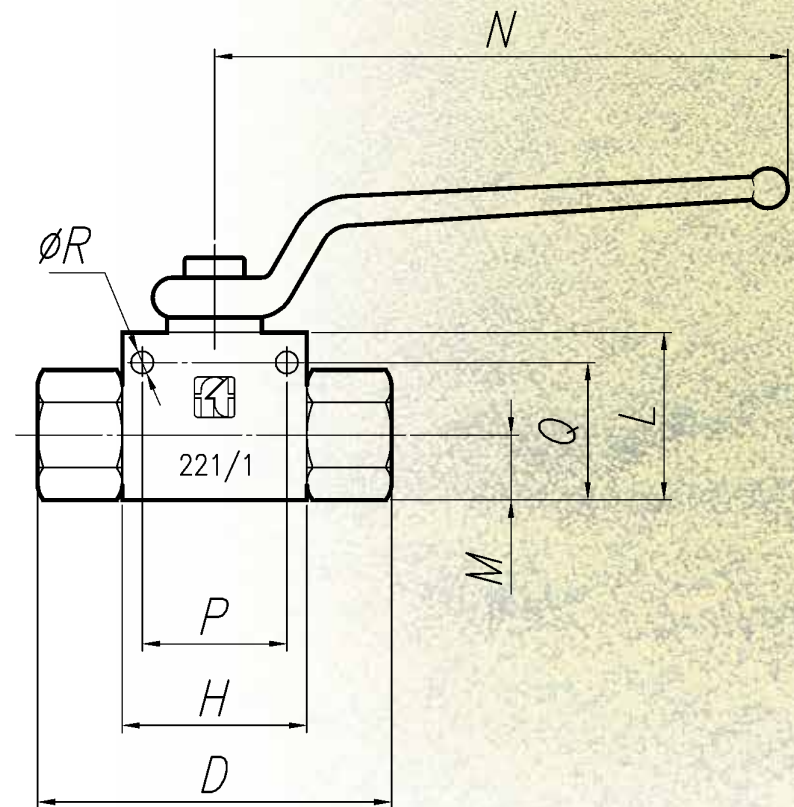


MATERIALS

BODY	CARBON STEEL
CONTROL STEM	CHROME-PLATED STEEL
BALL	CHROME-PLATED STEEL
STEM SEAL	NITRILE
BALL SEAL	PTFE

EXAMPLE FOR ORDERING

CODE	TYPE
STEEL FT 221/1	34





HIGH PRESSURE TWO-WAY BALL VALVES

Used to obtain a quick flow shut-off, avoiding noticeable pressure drop, the FT 221/1 ball valves are designed to obtain perfect sealing, easy and quick operation under high pressure conditions.

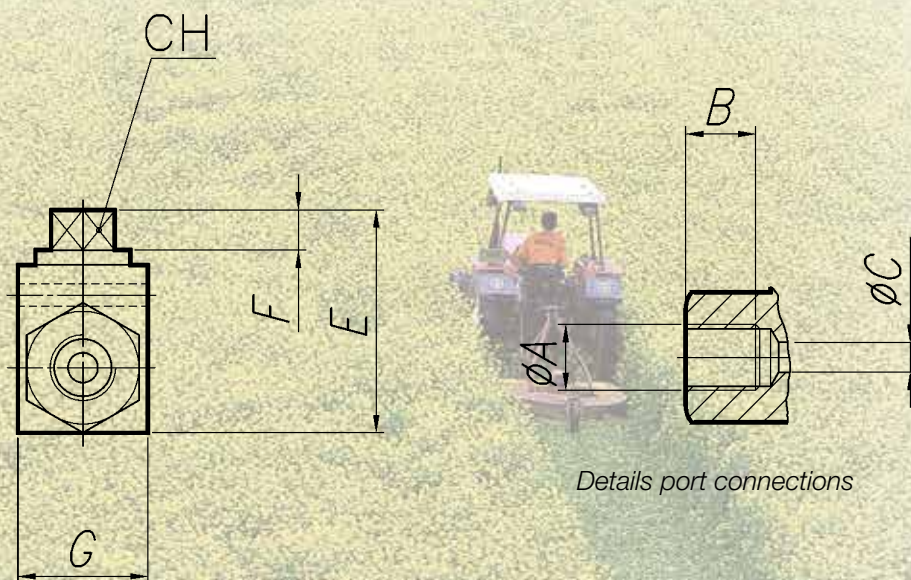
Working pressure up to 500 bar and with every kind of fluids, such as: hydraulic oil, fuel, emulsions and liquids in general.

On request

- Version in AISI 316 FT 2221\1
- Viton seal



FT 221/1



DIMENSIONS

TYPE	DN	PN (BAR)	ØA	B	ØC	D	E	F	G	H	L	M	N	CH	WEIGHT KG	FIXING HOLES ON REQUEST		
																P	Q	ØR
18	4	500	1/8" G	14	5	71	44,5	8	26	37	33,5	13	115	9	0,300	29	27,5	4,5
14	6	500	1/4" G	14	6	71	44,5	8	26	37	33,5	13	115	9	0,374	29	27,5	4,5
38	10	500	3/8" G	14	10	72	50	8	33	43	39	16,5	115	9	0,559	35	35	5,5
12	13	500	1/2" G	16	13	85	51	8	35	48	40	17	115	9	0,655	39	35,5	6,5
34	20	320	3/4" G	18	20	97	71,5	11	50	63	57	24	160	14	1,564	50	49,5	6,5
100	25	320	1" G	20	24	113	76	11	60	67	60	26,5	160	14	2,082	54	54	6,5
114	32	320	1 1/4" G	22	32	110	106	20	78	80	85	35	200	17	2,107	BOREST FIX NOT SUPPLIED		
112	38	320	1 1/2" G	24	38	130		15	83	85	92	41,5	200	17	3,698	BOREST FIX NOT SUPPLIED		
200	48	320	2" G	28	48	140	132	20	100	100	111	50	200	19	6,070	BOREST FIX NOT SUPPLIED		



HIGH PRESSURE TWO-WAY BALL VALVES

Used to obtain a quick flow shut-off, avoiding noticeable pressure drop, the FT 2221/1 ball valves are designed to obtain perfect sealing, easy and quick operation under high pressure conditions.

The noticeable solidity, the material selection and the accurate machining allow their use at working pressure from 320 to 500 bar and with every kind of fluids, such as: hydraulic oil, fuel, emulsions and liquids in general.

Available 800/3000/6000 PSI versions.

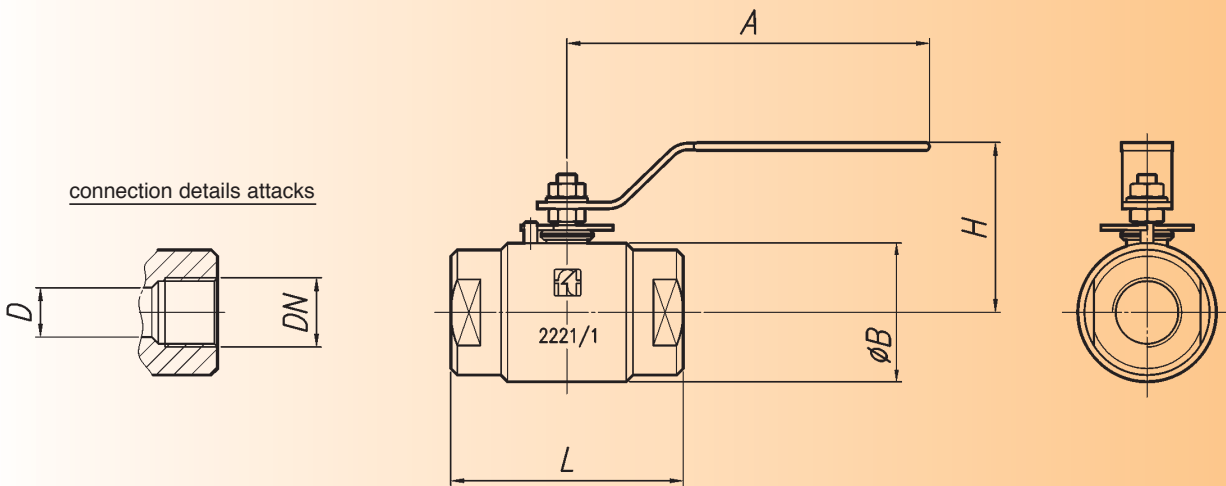


materials

Body	ASTMA 182F316L
Control stem	ASTMA 182F316L
Ball	ASTMA 182F316L
Stem seal	Viton
Ball seal	PTFE

example for ordering

Code	Type
FT 2221/1	34



dimensions

Type	DN	DN	A	ØB	D	h	L	Weight kg
14	1/4" Gas	8	150	40	6	62	65	0,6
38	3/8" Gas	10	150	40	10	62	65	0,6
12	1/2" Gas	15	150	50	13	70	75	0,9
34	3/4" Gas	20	185	60	20	85	90	1,55
100	1" Gas	25	185	65	24	90	100	2,2
114	1 1/4" Gas	32	285	75	32	95	115	3,5
112	1 1/2" Gas	40	285	90	38	100	125	4,4
200	2" Gas	50	285	100	48	105	150	6,1

83

