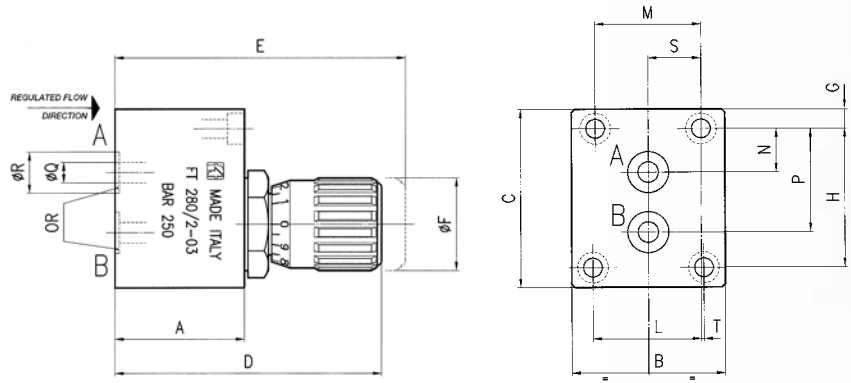




**MATERIALS**

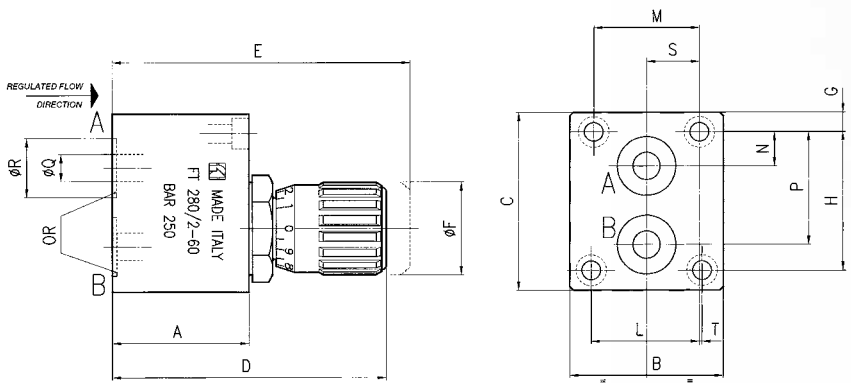
TERMINAL STRIP BODY	11 S MN Pb 30 - UNI EN 10087
CARTRIDGE BODY	11 S MN Pb 30 - UNI EN 10087
NEEDLE	1 C 40 - UNI 8373
HANDWHEEL	GD AL SI 12 - UNI EN AB 46100
NIPPLE	NYLON 6
OR	NITRILE
ANTIEXTRUSION RINGS	PTFE

*All components are surface treated and protected*



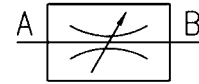
**DIMENSIONS**

TYPE	A	B	C	D	E	ØF	G	H	L	M	N	P	ØQ	ØR	S	T	OR	SCREW	WEIGHT KG
03	38	45	52	78,3	85,3	27	5,75	40,5	31,75	31	12,7	30,2	6	12	15,5	0,75	108	M5x40	0,700



**DIMENSIONS**

TYPE	A	B	C	D	E	ØF	G	H	L	M	N	P	ØQ	ØR	S	T	OR	SCREW	WEIGHT KG
60	40	45	52	80,3	87,3	27	5,75	40,5	31,75	31	10	33	8	17,2	15,5	0,75	2056	M5x45	0,720



## DOUBLE-ACTING CONTROL PLATE VALVES

They allow flow control in both directions.

Needle adjustment to give:

- efficient metallic sealing;
- flow linearity during opening;
- accurate flow control for a wide range of flow rates.

A double reference device consisting of a graduated scale on the handle and of a metallic ring, with a graduated scale, and divided in sectors allows identifying the flow rate conditions.

A locking screw in the handle ensures the stability of flow rate values preventing accidental adjustment or movement due to vibrations.

They are provided with plate connections mod. CETOP 03 or interchangeable with the broadly used valves. The connection seals are equipped in series.

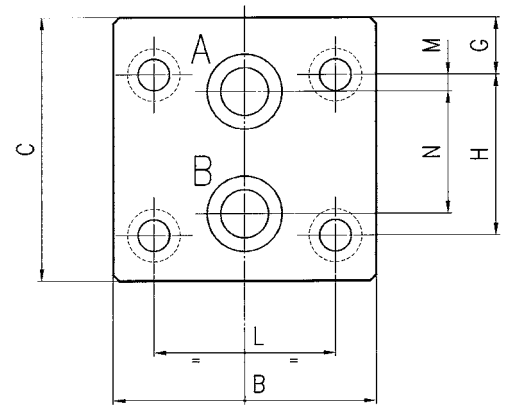
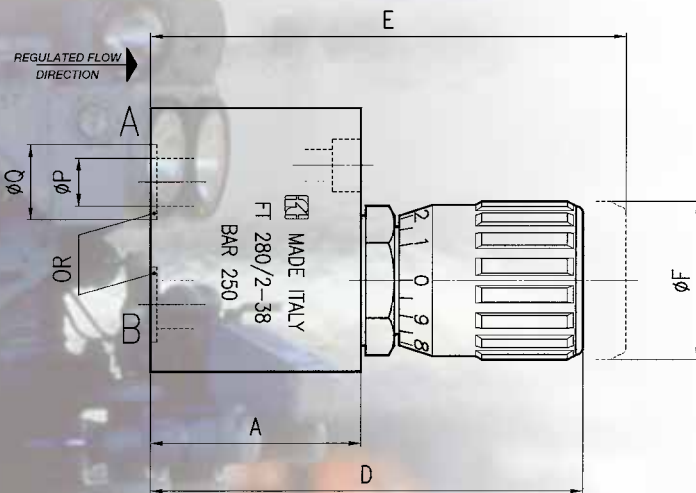
Max. working pressure 250 bar.

On request

- Complete with Viton seals (V)
- Knob in ABS (mp)



FT 280/2



### DIMENSIONS

TYPE	A	B	C	D	E	ØF	G	H	L	M	N	ØP	ØQ	OR	SCREW	WEIGHT KG
18	32	42	35	66,8	71,8	22	8	19	28,5	1,5	16	4	9,5	2025	M6x40	0,350
14	38	50	50	78,3	85,3	27	7,5	35	33,5	5	25,5	6	12,7	2037	M6x45	0,730
38	44	55	55	90,5	99,5	33	12	33,5	38	3,5	25,5	8	15,7	2050	M6x50	1,040
12	55	60	70	109,1	119,6	38	18	38	44,5	4	30	11	19,7	119	M6x60	1,810

### EXAMPLE FOR ORDERING

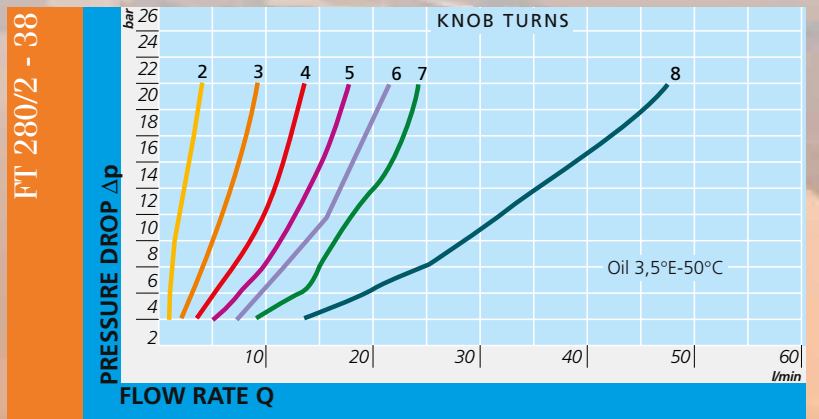
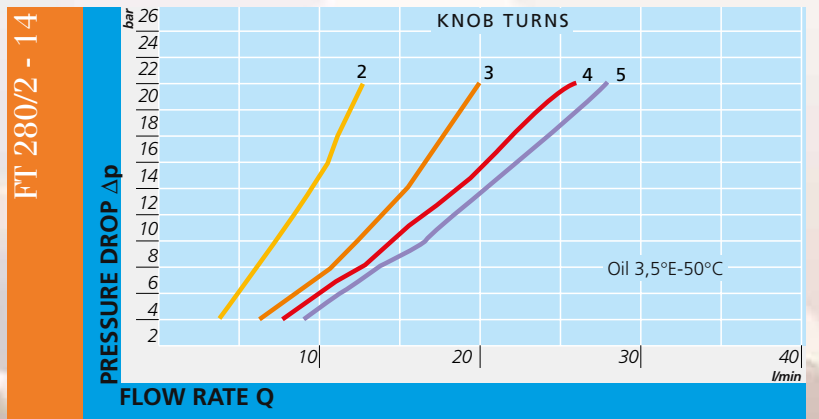
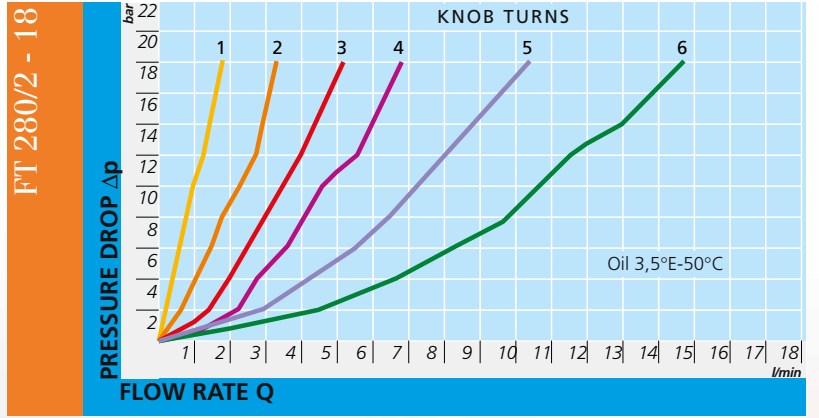
CODE	TYPE
FT 280/2	18
FT 280/2	38

### EXAMPLE FOR ORDERING

CODE	TYPE
FT 280/2	03
FT 280/2	60

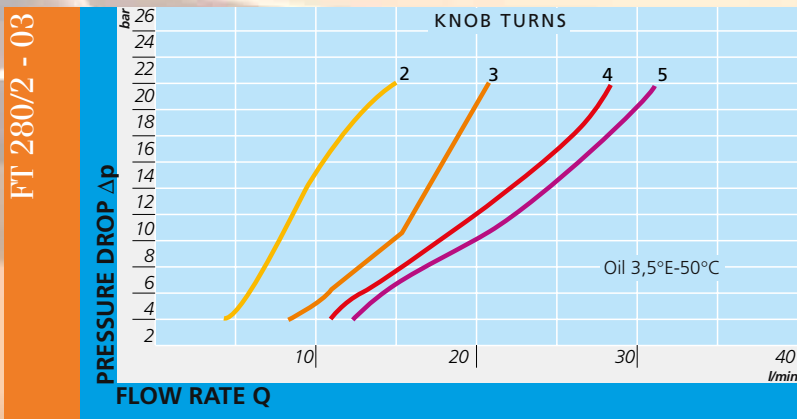
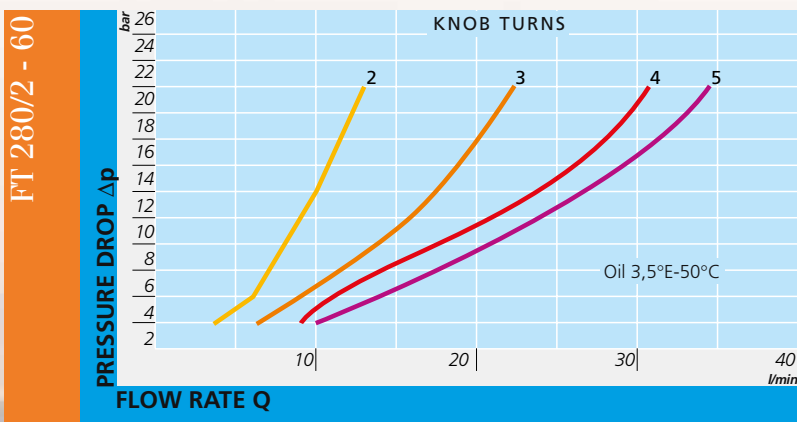
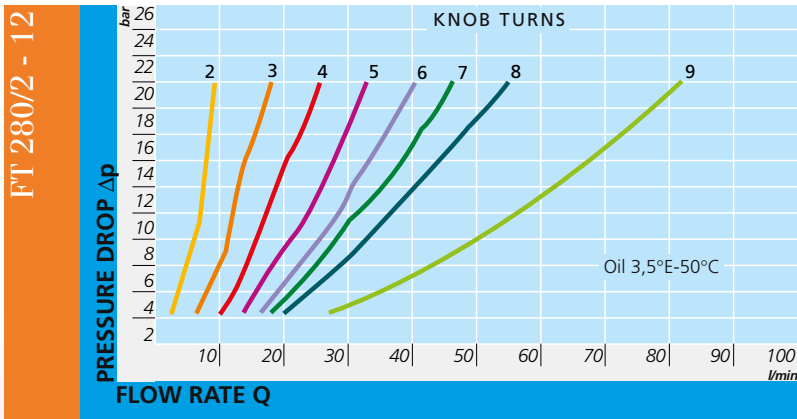


FT 280/2 FLOW RATE CURVES





FT 280/2

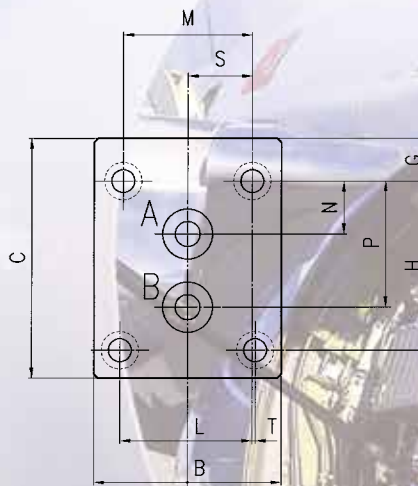
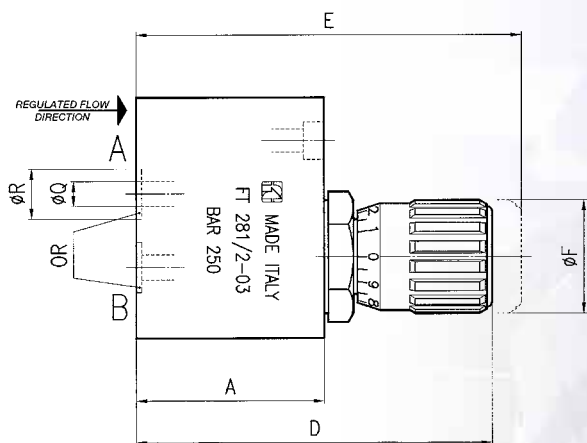




**MATERIALS**

TERMINAL STRIP	11 S MN Pb 30 - UNI EN 10087
CARTRIDGE BODY	11 S MN Pb 30 - UNI EN 10087
NEEDLE	AISI 303 - UNI EN 10088
HANDWHEEL	GD AL SI 12 UNI EN AB 46100
NIPPLE	NYLON 6
OR	NITRILE
ANTIEXTRUSION RINGS	PTFE

*All components are surface treated and protected*



**DIMENSIONS**

TYPE	A	B	C	D	E	∅F	G	H	L
03	32	45	52	66	74	22	5,75	40,5	31,75
60	32	45	52	66	74	22	5,75	40,5	31,75

**DIMENSIONS**

TYPE	M	N	P	∅Q	∅R	S	T	OR	SCREW	WEIGHT KG
03	31	12,7	30,2	5	12	15,5	0,75	108	M5x40	0,570
60	31	10	33	5	17,2	15,5	0,75	2056	M5x40	0,570

**EXAMPLE FOR ORDERING**

CODE	TYPE
FT 281/2	60

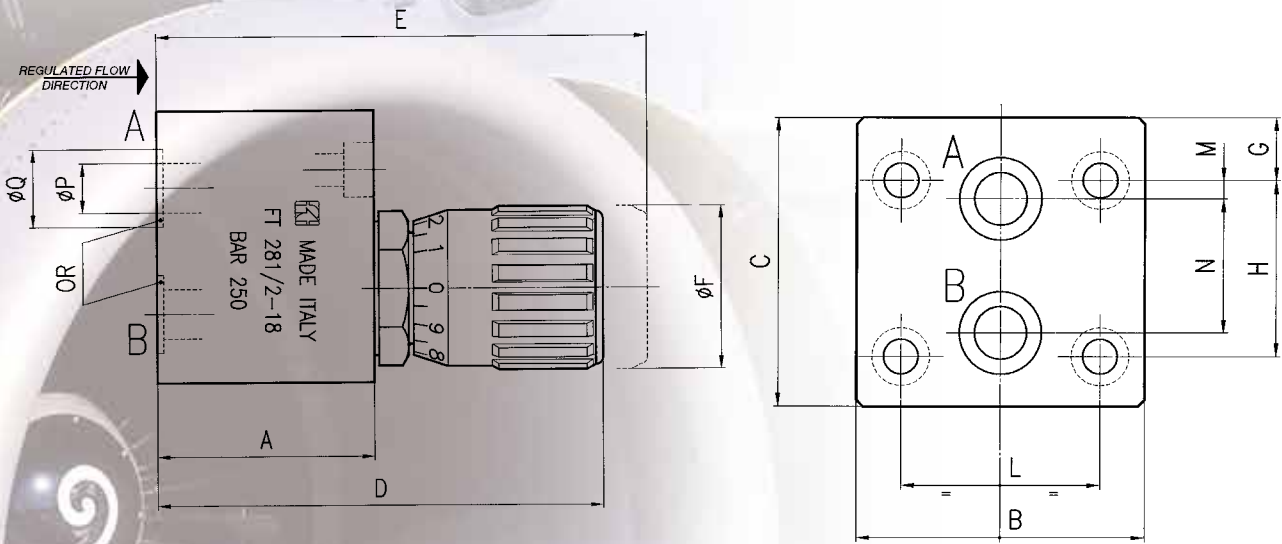


### DOUBLE-ACTING MICROFINE CONTROL PLATE VALVES

They are the most suitable solution for those applications requiring precise adjustment characteristics or for reduced rate of flow. They are provided with plate connections mod. CETOP 03 or interchangeable with the broadly used valves. The connection seals are equipped in series. Max. working pressure 250 bar.



FT 281/2



### DIMENSIONS

TYPE	A	B	C	D	E	∅F	G	H	L	M	N	∅P	∅Q	OR	SCREW	WEIGHT KG
18	32	42	35	66	74	22	8	19	28,5	1,5	16	4	9,5	2025	M6x40	0,350

### EXAMPLE FOR ORDERING

CODE	TYPE
FT 281/2	18

