

FDC 60 Series

Flow Divider Combiner

WEBTEC

F indynamica

drive and control products

A **Flow Divider-Combiner** will divide a single flow into two separate flows which will always be in the same ratio to each other regardless of any pressure differential between the two lines. If the flow is reversed (e.g. return stroke of two cylinders) the return flows are held in the same ratio to each other and combined into a single flow, regardless of individual loads on the cylinders

A common application is to keep two cylinders (or motors) in close unison when loads on them are unequal. The valves may also be used in series to operate more than two circuits.

Specifications

Maximum Pressure:
310 bar (working)

Total Flow Capacity:
70 lpm

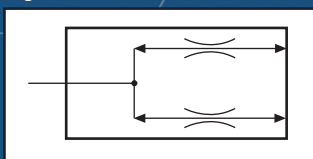
Porting:
See Table 2, ordering codes

Materials:
Steel components in cast iron body

Weight:
2.05 kg

Mounting:
Three bolt

Symbol



Features

- Pressure compensated to keep the two divided flow rates at the same ratio regardless of pressure variations between them.
- Flow ratios are pre-set at factory from 50% - 50% up to 10% - 90%.
- Flow ranges are available from 5 lpm to 70 lpm.
- Cast iron/hardened steel construction (no aluminium) makes it suitable for mining applications.



Hydraulic measurement and control

Ordering Codes

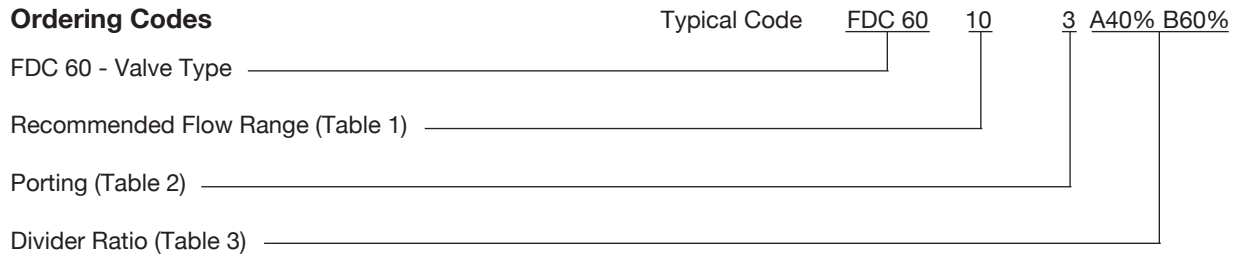


Table 1: Recommended Flow Range

Code	Flow Range
05	2 - 5 lpm
10	5 - 10 lpm
20	8 - 20 lpm
30	16 - 30 lpm
40	25 - 40 lpm
50	35 - 50 lpm
60	45 - 60 lpm
70*	55 - 70 lpm

* Code 70 (55-70 lpm) flow range will not function adequately at ratio's above 70 / 30

Table 3: Divider Ratio

A	B
50%	50%
thru'	
10%	90%

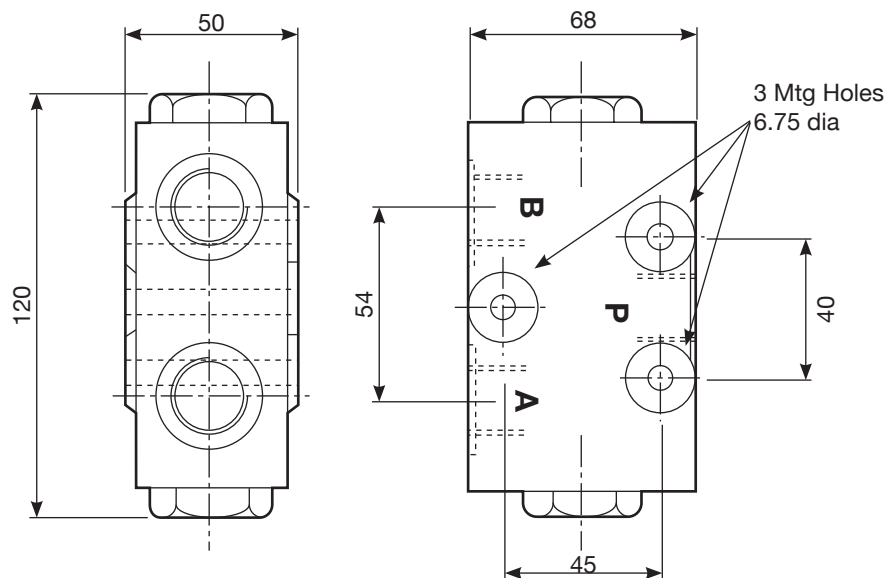
Note: Either outlet port (A or B) may be designated to take either leg of the ratios.

The example shown designates 40% at A and 60% at B. Any ratio from 50% - 50% to 90% - 10% may be specified.

Table 2: Porting (choose from following codes)

Code	Port P	Port A	Port B
1	M18 x 1.5	M18 x 1.5	M18 x 1.5
2	M22 x 1.5	M18 x 1.5	M18 x 1.5
3	3/8" BSPP	3/8" BSPP	3/8" BSPP
4	1/2" BSPP	3/8" BSPP	3/8" BSPP
5	1/2" BSPP	1/2" BSPP	1/2" BSPP
6	7/8" -14UN #10 SAE ORB	3/4" -16UN #8 SAE ORB	3/4" -16UN #8 SAE ORB
7	M27 x 2	M22 x 1.5	M22 x 1.5
8	1/2" NPTF	1/2" NPTF	1/2" NPTF

Installation Details



* Other threads available to special order.