

MTCV Module Throttle And Check Valves



The valve can control pressure value of one oil road in system. Manifold pressure can be come trued by adjustment handle.

Max.Pressure 21MPa
Max.Flow :
Size 02 up to 35L/min
Size 03 up to 70L/min

Ordering details

MTCV	-02	-A	-O
Sort	Size	Port number	Control type
MTCV: Module Throttle And Check Valves	02	A: A port B: B port	O: Meter out
	03	W: A、 B port	I: Meter in

Symbols

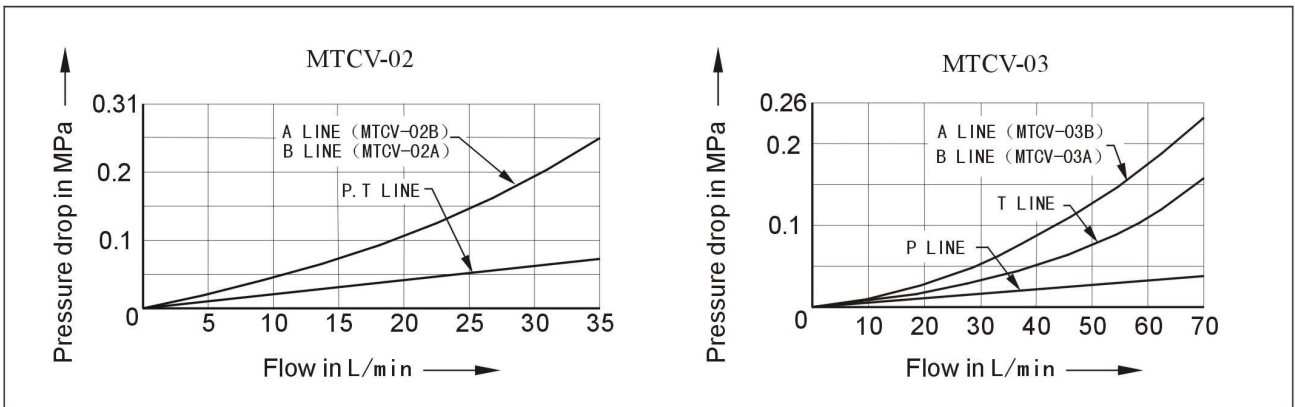
Type	MTCV-※-A-O	MTCV-※-B-I	MTCV-※-W-I
Meter out			
Type	MTCV-※-A-I	MTCV-※-B-O	MTCV-※-W-O
Meter in			

Technical data

Type	Max.pressure MPa	Max.flow L/min	Weight Kg
MTCV-02	21	35	1.3
MTCV-03		70	2.8

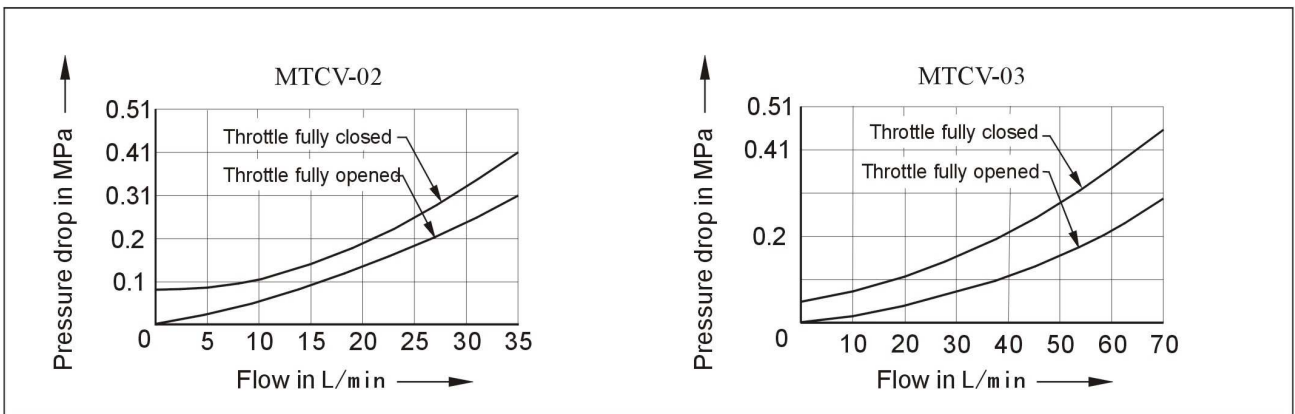
Characteristic Curves : Pressure drop

(measured at $v=35\text{mm}^2/\text{s}$ and $t=50^\circ\text{C}$)



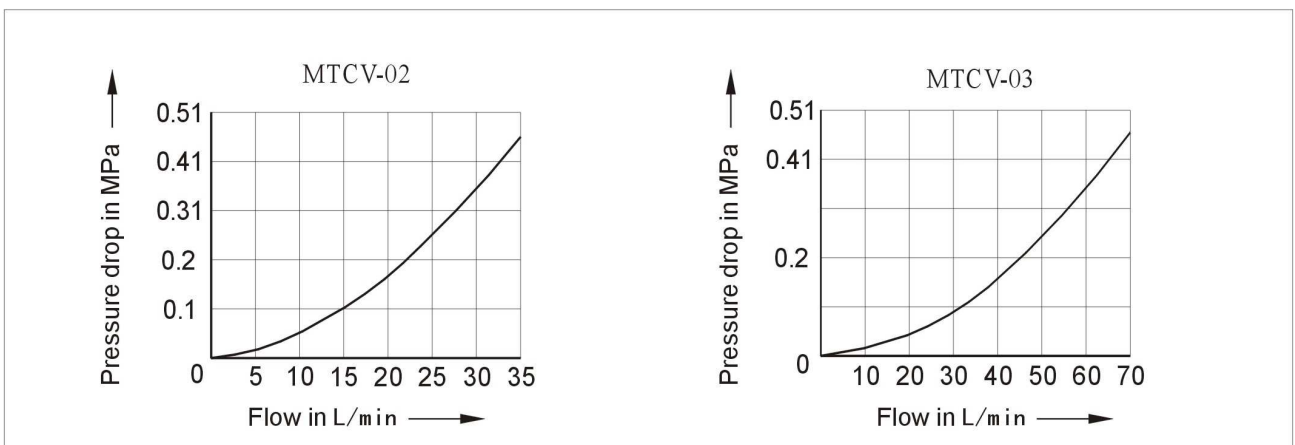
Characteristic Curves : Pressure drop for free flow

(measured at $v=35\text{mm}^2/\text{s}$ and $t=50^\circ\text{C}$)

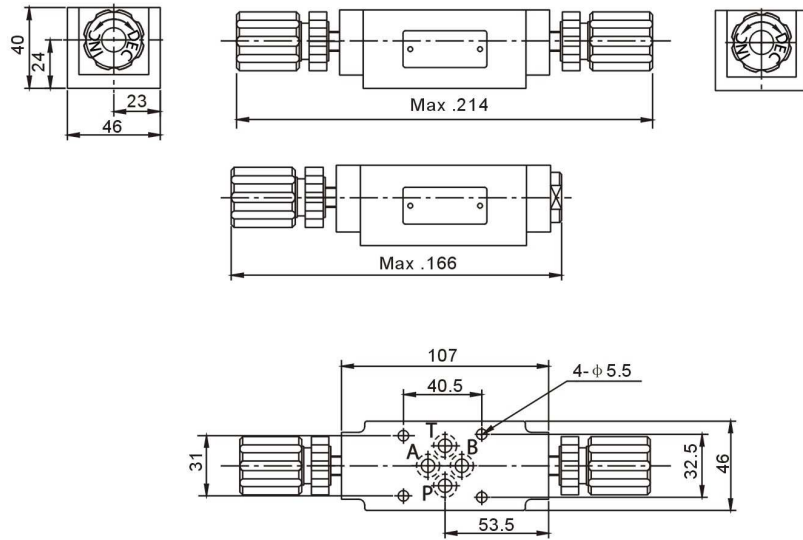


Characteristic Curves : Pressure drop at throttle fully opened

(measured at $v=35\text{mm}^2/\text{s}$ and $t=50^\circ\text{C}$)



● MTCV-02



● MTCV-03

