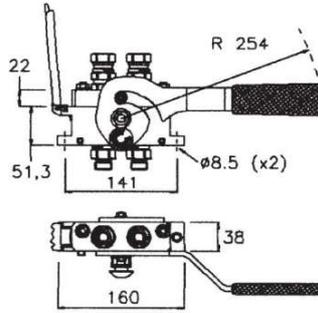


2PB06

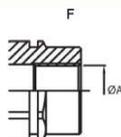
(2 X 3/8")



Size Base BG Taille	Thread Filetto Anschluss Filetage	Part Number Codice Articolo Artikelnummer Désignation	Fixed Half Piastra Fissa Fixteil Partie Fixe	Mobile Half Piastra Mobile Mobilteil Partie Mobile	Working pressure Pressione di esercizio Betriebsdruck Pression de service	Burst Pressure Pressione di scoppio Berstdruck Pression d' éclatement	Flow Rate Portata Durchsatz Débit	Electrical Lines Linee Elettriche Elektroanschluss Raccordement Electrique	Weight Peso Gewicht Poids
mm	inch				MPa (PSI)	MPa (PSI)	l/min (GPM)		
10	3/8"	F 3/8" BSP Female	2PB06-2-38G F C	2PB06-2-38G MC	25 (3625)	100 (14500)	40 (10.6)	0	
10	3/8"	F 1/2" BSP Female	2PB06-2-12G F C	2PB06-2-12G MC	25 (3625)	100 (14500)	40 (10.6)	0	
10	3/8"	F 1/2" BSP Female	2PB06-2-12G F C	3PB06-2-12G MC	25 (3625)	100 (14500)	40 (10.6)	0	

Reference Riferimento Bezeichnung Référence	Fixed Half Piastra Fissa Fixteil Partie Fixe	Weight Peso Gewicht Poids	Package Confezione Packungseinheit Colis	Mobile Half Piastra Mobile Mobilteil Partie Mobile	Weight Peso Gewicht Poids	Package Confezione Packungseinheit Colis	Mobile Part Support Supporto parte mobile Parkplatte Support pour la partie mobile
A	KIT SP5 S						
B				KIT VPB06			
C				KIT GP4			
D	KIT LPB06						
E	KIT TA PB06						
A+B+D+E+F	KIT PB06 F L						
G+C+B				KIT PB06 M			S PB06
M				KIT2FNP38GASM		15	
M				KIT2FNP38-12GM		15	
M				KIT2FNP38-2/18M		15	
M				KIT2FNP38-2/22M		15	
M				KIT3FNP38GASM		15	
M				KIT3FNP38-12GM		15	
M				KIT3FNP12-12GAS M		15	
M				KIT3FNP12-12SM		15	
M				KIT3NPT12-2/22M		15	
M				KIT3FNP12-34SM		15	
SK				SK MF 38		10	
L	KIT2FNB38GASF		15				
L	KIT2FNB38-12GF		15				
L	KIT2FNB38-2/18F		15				
L	KIT2FNB38-2/22F		15				
H/I							

Thread Filetto Anschluss Filetage



HYDROPARTS
QUALITY PRODUCTS

