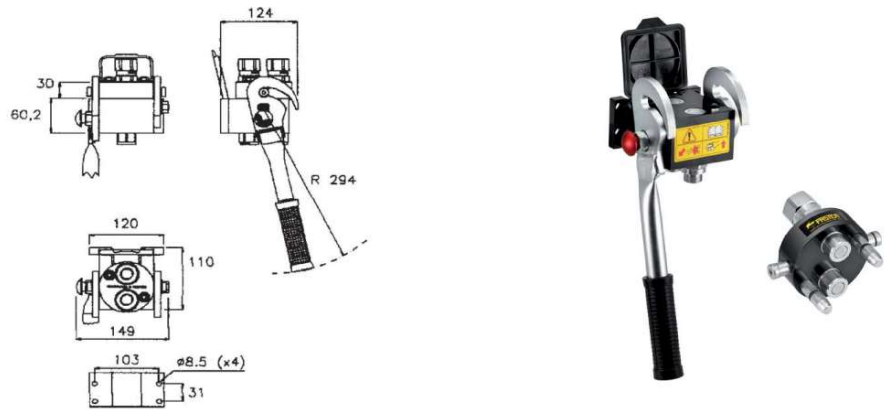


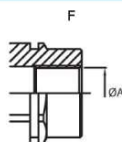
# 2P208 3P208 ( 2 X 1/2" )



Size Base BG Taille	Thread Filetto Anschluss Filetage	Part Number Codice Articolo Artikelnummer Désignation	Fixed Half Piastra Fissa Fixteil Partie Fixe	Mobile Half Piastra Mobile Mobilteil Partie Mobile	Working pressure Pressione di esercizio Betriebsdruck Pression de service	Burst Pressures Pressione di scoppio Berstdruck Pression d'éclatement	Flow Rate Portata Durchsatz Débit	Electrical Lines Linee Elettriche Elektroanschluss Raccordement Electrique	Weight Peso Gewicht Poids
mm	inch				MPa (PSI)	MPa (PSI)	l/min (GPM)		
12	1/2"	F	1/2" BSP Female	2P208-2-12G F C	2P208-2-12G M C	25 (3625)	100 (14500)	70 (18.5)	0
12	1/2"	F		3P208-2-12G F C	3P208-2-12G M C	25 (3625)	100 (14500)	70 (18.5)	0
12	1/2"	F	1/2" NPT Female	2P208-2-12N F C	2P208-2-12N M C	25 (3625)	100 (14500)	70 (18.5)	0
12	1/2"	F	1/2" SAE Female	2P208-2-12S F C	2P208-2-12S M C	25 (3625)	100 (14500)	70 (18.5)	0
12	1/2"	F			3P208-2-12S M C	25 (3625)	100 (14500)	70 (18.5)	0
12	1/2"	F	3/4" BSP Female	2P208-2-34G F C	2P208-2-34G M C	25 (3625)	100 (14500)	70 (18.5)	0
12	1/2"	F	3/4" SAE Female	2P208-2-34S F C	2P208-2-34S M C	25 (3625)	100 (14500)	70 (18.5)	0
12	1/2"	F			3P208-2-34S M C	25 (3625)	100 (14500)	70 (18.5)	0
12	1/2"	2/	M22x1,5 Male 15L	2P208-2-2/22 F C	2P208-2-2/22M C	25 (3625)	100 (14500)	70 (18.5)	0

Reference Riferimento Bezeichnung Référence	Fixed Half Piastra Fissa Fixteil Partie Fixe	Weight Peso Gewicht Poids	Package Confezione Packungseinheit Colis	Mobile Half Piastra Mobile Mobilteil Partie Mobile	Weight Peso Gewicht Poids	Package Confezione Packungseinheit Colis	Mobile Part Support Supporto parte mobile Parkplatte Support pour la partie mobile
A	KIT SP5 S						
B				KIT VP8			
C				KIT GP4			
D	KIT LP208						
E	KIT TA P2						
A+B+D+E+F	KIT P208 F L						
G+C+B				KIT P208 M			S P2
M				KIT2FNP12GAS M		10	
M				KIT2FNP12NPT M		10	
M				KIT2FNP12-2/22M		10	
M				KIT2FNP12-12SM		10	
M				KIT2FNP12-34GM		10	
M				KIT3FNP12-34SM		10	
M				KIT3FNP12-12GAS M		10	
M				KIT3FNP12-12SM		10	
M				KIT3NPT12-2/22M		10	
M				KIT3FNP12-34SM		10	
SK				SK MF 12		10	
L	KIT2FNB12GASF		10				
L	KIT2FNB12NPT F		10				
L	KIT2FNB12-2/22F		10				
L	KIT2FNB12-12SF		10				
L	KIT2FNB12-34GF		10				
L	KIT2FNB12-34SF		10				
H/I							

Thread Filetto Anschluss Filetage



**HYDROPARTS**  
QUALITY PRODUCTS

