

# LVA - LVU series

Visual oil level indicators



# LVA GENERAL INFORMATION

## Technical data

### Visual oil level indicators

LVA is a range of plastic compact fluid level indicators for monitoring of the fluid level into the tank. They are directly fitted on the tank side. The fluid comes in through the lower connection screw and it is easily visible through the screen.

A white background plate, an orange line for the minimum level and a blue line for the maximum level allow an easy monitoring of the level.

### Available features:

- Several male threaded connections, with or without nuts
- Three different sizes, to meet every size of tank
- Thermometer, to check the temperature of the fluid

### Common applications:

- Hydraulic systems
- Mobile machines
- Industrial equipment

### Materials

- Body: Transparent amorphous polyamide lens
- Nylon guard
- Seal: A -NBR / V - FPM

### Operating pressure

Max 1 bar at +80°C

### Operating temperature

From -25 °C to +80 °C

### Weight

LVA 10 0.13 kg  
LVA 20 0.18 kg  
LVA 30 0.23 kg

### Quantity

10 pcs/pack



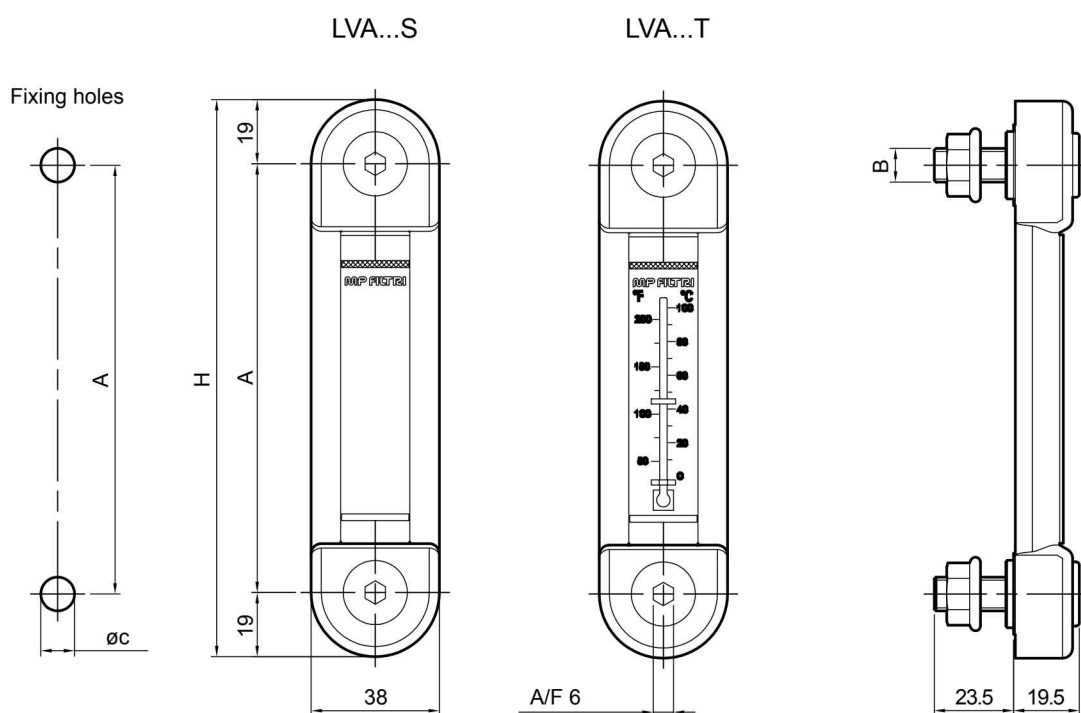
## Designation & Ordering code

LVA		Configuration example :						
<b>Series</b>	LVA	LVA	20	T	A	P	M10	S01
<b>Size</b>	10   20   30							
<b>Thermometer</b>	S Without thermometer T With thermometer							
<b>Seals</b>	A NBR V FPM							
<b>Cover material</b>	P Polyamide							
<b>Connections</b>	M10 Screws M10 M12 Screws M12 U38 Screws 3/8" UNC U12 Screws G 1/2" UNC							
<b>Execution</b>	S01 Tag MP Filtri, with nuts S02 Tag MP Filtri, without nuts							

LVA		
Size	A [mm]	H [mm]
<b>LVA10</b>	76	114
<b>LVA20</b>	127	165
<b>LVA30</b>	254	292

Type	B [mm]	C [mm]
<b>LVA...M10</b>	M10	10.5
<b>LVA...M12</b>	M12	12.5
<b>LVA...U38</b>	3/8" UNC	10.0
<b>LVA...U12</b>	1/2" UNC	13.5



**Note:** for installation onto OB Cleaning covers see page 147

## Technical data

### Visual oil level indicators

LVU is a range of plastic fluid level indicators for monitoring of the fluid level into the tank. They are directly fitted on the tank side.

The fluid comes in through the lower connection screw and it is easily visible through the screen.

A background plate, a red float and the adjustable minimum level and maximum level indicators allow an easy check of the level.

### Available features:

- G 3/8" male threaded connections
- Adjustable size on request, to meet every size of tank
- Drain valve, to drop the oil for the maintenance procedures
- Glass screen and "U" protection, to meet heavy duty applications

### Common applications:

- Hydraulic systems
- Mobile machines
- Industrial equipment

### Materials

- Head: Nylon
- Connection G 3/8": Nickel plated brass
- G 3/8" valve: Steel
- Seal: NBR
- Pipe seal: NBR, Acrylic
- Pipe: Pyrex
- Float: Nylon
- Protection: Aluminium
- Clamps min-max: Nylon

### Operating temperature

From -25 °C to +70 °C

Weight	version U	version S
LVU 0500	0.780 kg	0.580 kg
LVU 1000	1.150 kg	0.790 kg
LVU 1500	1.550 kg	1.100 kg
LVU 2000	1.950 kg	1.400 kg

### Quantity

10 pcs/pack



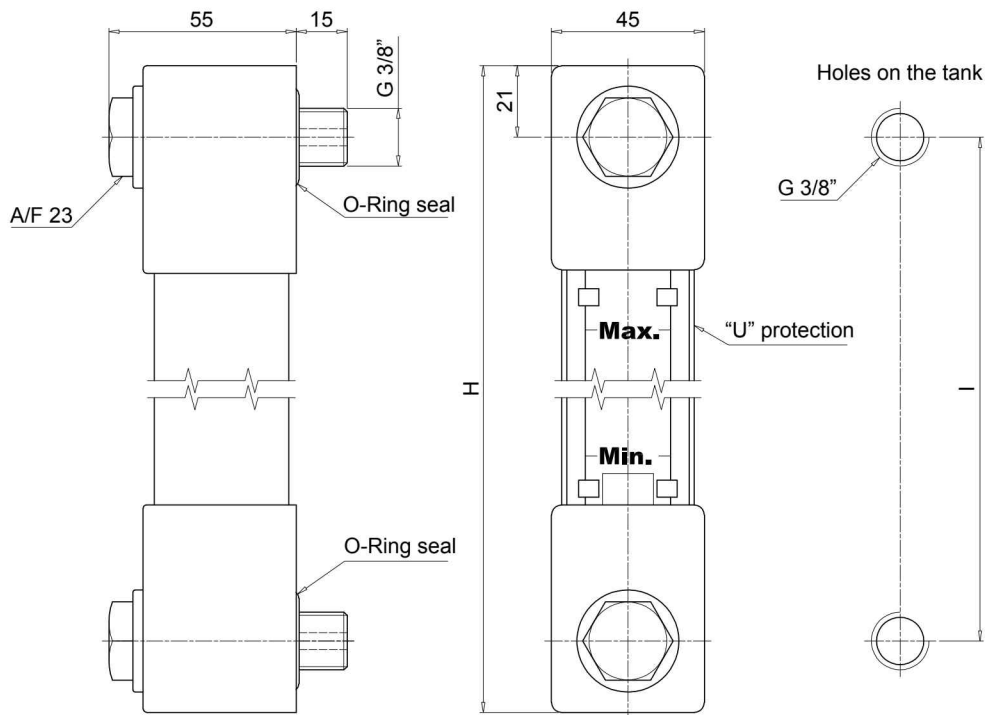
## Designation & Ordering code

### LVU

Series	Configuration example :					
<b>LVU</b>	LVU	0500	U	A	10	P01
<b>Size</b>						
<b>0500</b>	Distance between center = 500 mm					
<b>1000</b>	Distance between center = 1000 mm					
<b>1500</b>	Distance between center = 1500 mm					
<b>2000</b>	Distance between center = 2000 mm					
Different sizes on request						
<b>Body</b>	Size					
	500	1000	1500	2000		
<b>S</b>	Standard plexiglass body	•	•	•	•	
<b>U</b>	Plexiglass body, with "U" protection	•	•	•	•	
<b>P</b>	Pyrex body, with "U" protection	•	•	•		
<b>Seals</b>						
<b>A</b>	NBR					
<b>V</b>	FPM					
<b>Connections</b>						
<b>10</b>	Connection G 3/8"					
<b>20</b>	Connection G 3/8", with drain valve					
<b>Execution</b>						
<b>P01</b>	MP Filtri standard					
<b>Pxx</b>	Customized					

LVU		
Size	H [mm]	I [mm]
0500	542	500
1000	1042	1000
1500	1542	1500
2000	2042	2000

### Connection 10



### Connection 20

