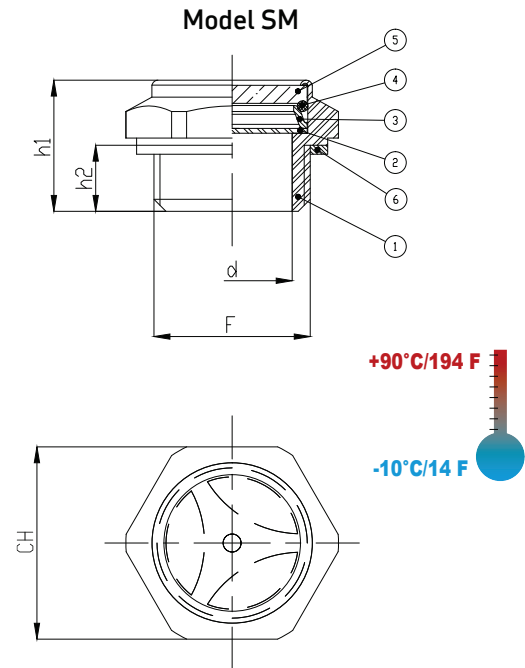


SM - OIL LEVEL INDICATORS - Aluminium/Crystal-clear plastic



- 1 - Threaded body
- 2 - Reflector
- 3 - Internal insert
- 4 - O-ring
- 5 - Transparent disc
- 6 - External fiber gasket

-Threaded hex-head level indicator manufactured from Aluminium alloy 2011.

-Plastic lens made from transparent PA polyamide compatible with mineral oil, gasoline, lubricants and fluids containing alcohol.

-Max operating pressure suggested **5 Bar**.

-Internal contrast screen in aluminium white painted with company logo (or dot) in red color.

-Fiber gasket (available on request aluminium washer).

-For tightening torque applicable (Nm = maximum suggested) see the above table.

Code	F	Ch	D	d	h1	h2	Nm	Weight (gr)	Min. pack.
SM/14	G.1/4"	17	19	9	18,8	8	4	5	100
SM/38	G.3/8"	22	24	12	18	9	10	9	100
SM/12	G.1/2"	27	29,5	15	20	9	15	15	100
SM/34	G.3/4"	32	35,5	20	22	11	20	22,5	50
SM/1	G.1"	40	44	25	22	10	25	35	50
SM/114	G. 1 1/4"	50	55	32	27	12	n.a.	60	5
SM/112	G. 1 1/2"	55	62	32	26	13	n.a.	80	1
SM/14.15	M14x1,5	17	18,5	10	17	8	4	5	100
SM/16.15	M16x1,5	22	24	11,5	18	9	10	8,5	100
SM/18.15	M18x1,5	22	24	11,5	18	9	12	14	100
SM/20.15	M20x1,5	24	26,5	15	21	10	15	12	100
SM/22.15	M22x1,5	27	29,5	15	20	9	15	15	100
SM/24.15	M24x1,5	30	33,5	16	24	11	18	22,5	100