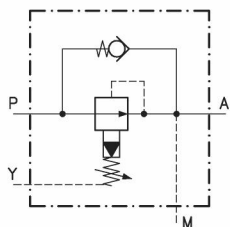
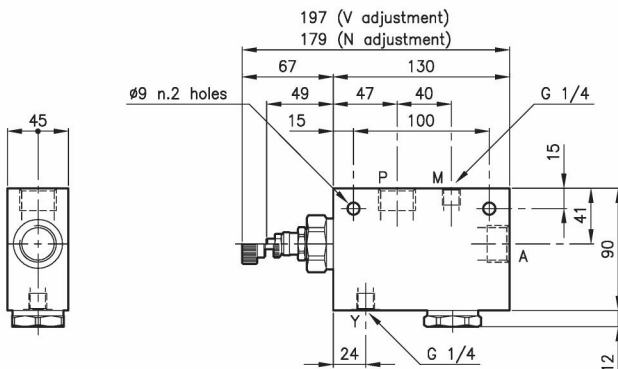


Technical features



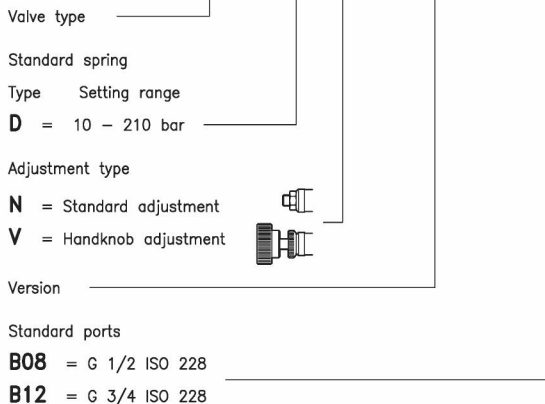
Valves	(For features see catalogue 03.040)	RLY 50
	(For features see catalogue 05.070)	CAE 50/P
Max. flow	(l/min.)	90
Max. pressure in P	(bar)	420
Pressure setting range	(bar)	10 - 210
Fluid viscosity range	(cSt)	2.8 - 380
Fluid temperature range	(°C)	-20 +80
Mass	(kg)	2.100
Standard setting obtained with 1 l/min.		
Hydraulic fluid; mineral oil HM and HV ISO 6074		
Recommended filtration; 19/15 ISO 4466 (25 μ absolutes)		
Standard seals in Polyurethane and Buna N		

Dimensions



Ordering informations

RLY 50/D-N-CSL 11-B12



Codes:

RLY 50/D-N-CSL 11-B08	51 011 144
RLY 50/D-V-CSL 11-B08	51 011 145
RLY 50/D-N-CSL 11-B12	51 011 146
RLY 50/D-V-CSL 11-B12	51 011 147

Only body codes:

Body type 50-CSL 11-B08	58 144 117
Body type 50-CSL 11-B12	58 144 118