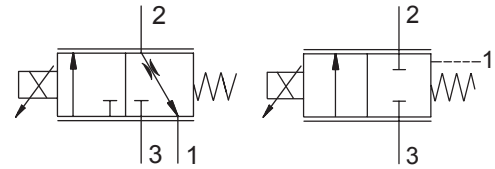


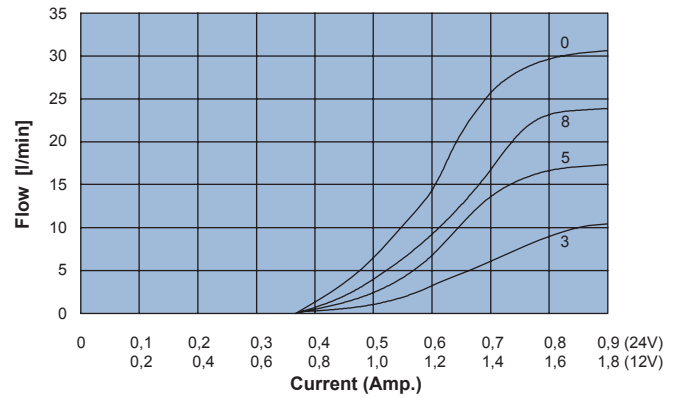
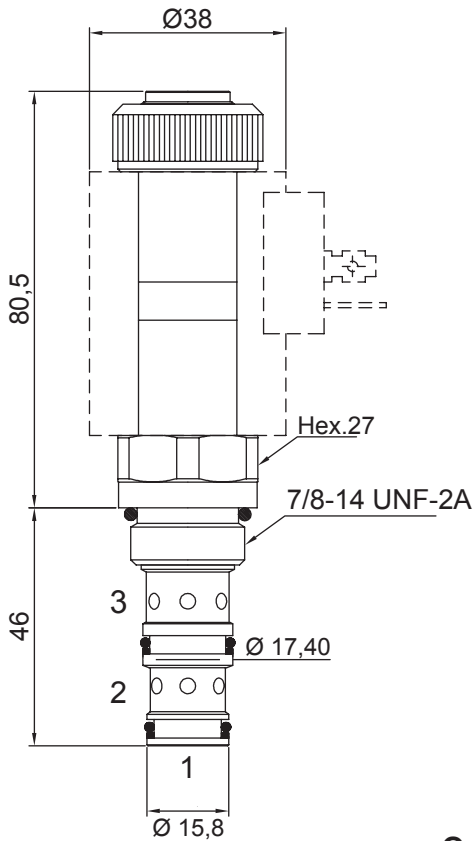
3 WAY NORMALLY CLOSED SPOOL VALVE, ELECTRO-PROPORTIONAL FLOW CONTROL

- Flow **30 l/min**
- Max working pressure in 1:2:3..... **350 bar**
- Application limits with Δp max from 3 to 2..... **15 bar**
- Leakage **150 cc/min**
- Seals **NBR and PTFE**
- Max current at 12 Vcc **1800mA**
- Max current at 24 Vcc **900mA**
- PWM **120 Hz**
- Hysteresis..... **5%**
- Cartridge tightening torque **40 Nm**
- Ring nut tightening torque **5 Nm**
- Weight (with coil)..... **0,56 Kg**
- Cavity **C330000** page 220
- Body..... **171312** page 192
- Coil (to be ordered separately) **09800** page 180

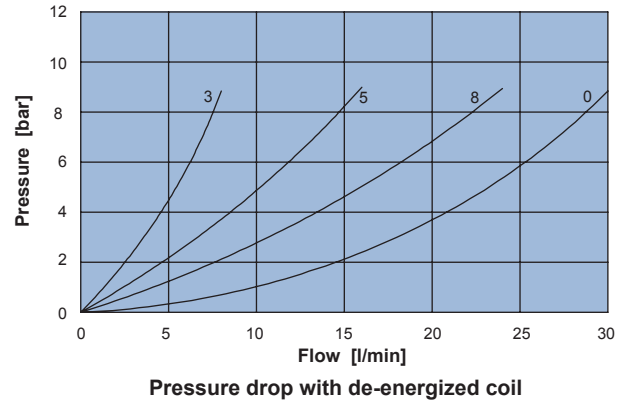


Scheme 0

Scheme 1



Graph flow/current with Δp from 3 to 2 of 7 bar



Pressure drop with de-energized coil

Ordering code

0 3 5 3 [] [] 0 [] 0 1

0 1
Hydraulic scheme

0 3 5 8
100% Q.max 30% Q.max 50% Q.max 80% Q.max
Flow range

0 1 7
No emergency Push pin Handknob

