



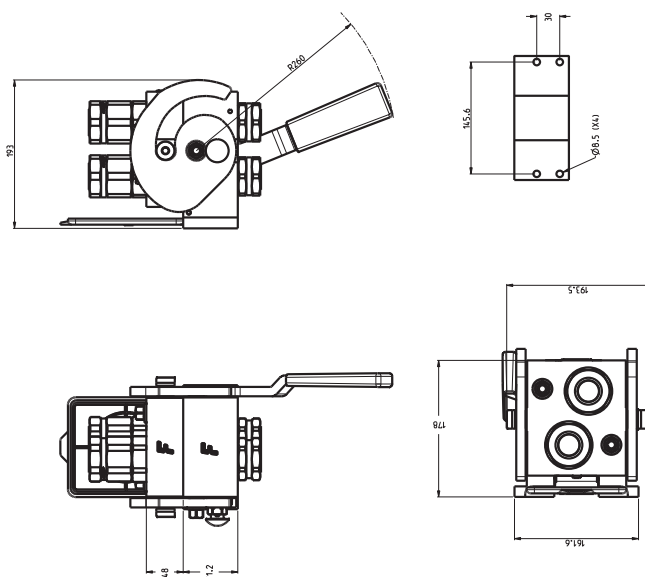
MF PH216S

MultiFaster, high pressure version, 2 lines size 16.

New multi-connection system specifically designed to withstand high pressure applications (46 MPa). Equipped with 2 lines size 16. Black cataphoresis plates with Zn-Ni plated carbon steel handle and cams.



Applications



Technical Specifications

dash	Size		Working Pressure (MPa)	Flow Rate (l/min)	Spillage (ml)	Burst pressure (MPa)		
	mm	inch				Male	Female	Male + Female
16	25	1"	46	150	0.03	138	138	138

Material	Steel
Seals	FKM & PUR
Working temperatures	-25 °C to 100 °C
Surface treatment	MATE 1000 (ZnNi);

Valve Type	Flat
Connection	Screw to Connect
Disconnection	Unscrew to Disconnect
Connection Under Pressure	Allowed Male Half up to W.P.



PH216S

Size					Thread Type					FIXED
dash	mm	inch	Housing	Number of Couplings	Thread Type	Standard	Thread	Electrical Connector N	Connector Type	Part Number
16	25	1"	2	2	F BSPP	ISO 1179-1	BSPP 1" FEMALE			PH216S-2-1G F C

Size					Thread Type					MOBILE
dash	mm	inch	Housing	Number of Couplings	Thread Type	Standard	Thread	Electrical Connector N	Connector Type	Part Number
16	25	1"	2	2	F BSPP	ISO 1179-1	BSPP 1" FEMALE			3PH216S-2-1G M C

Spare Parts & Accessories

Female Half				Male Half					
Plates	Lever	Dust cover	Safety Lock	Plates	Seals male	Screws	Plugs	Guiding pins	Docking
			KIT SP5 7		SK MF 1	KIT VPH			

