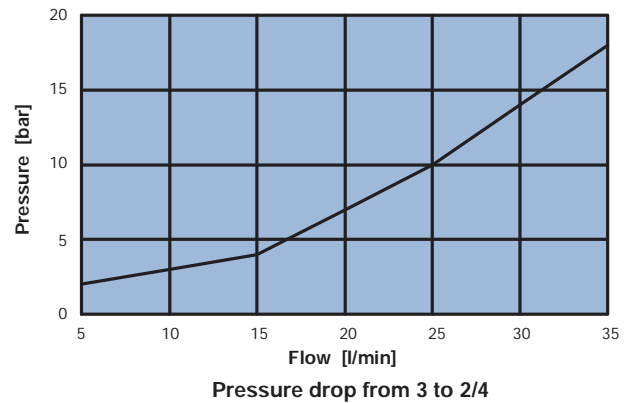
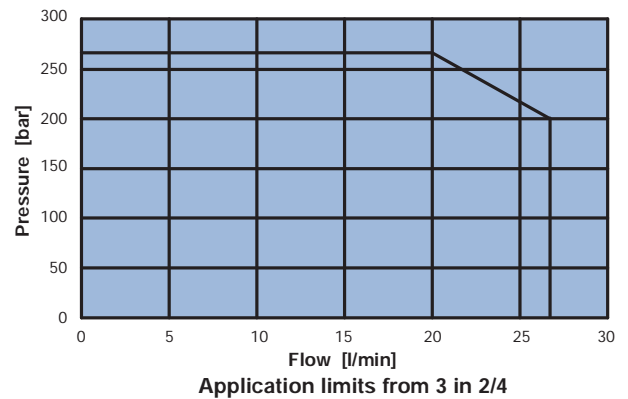
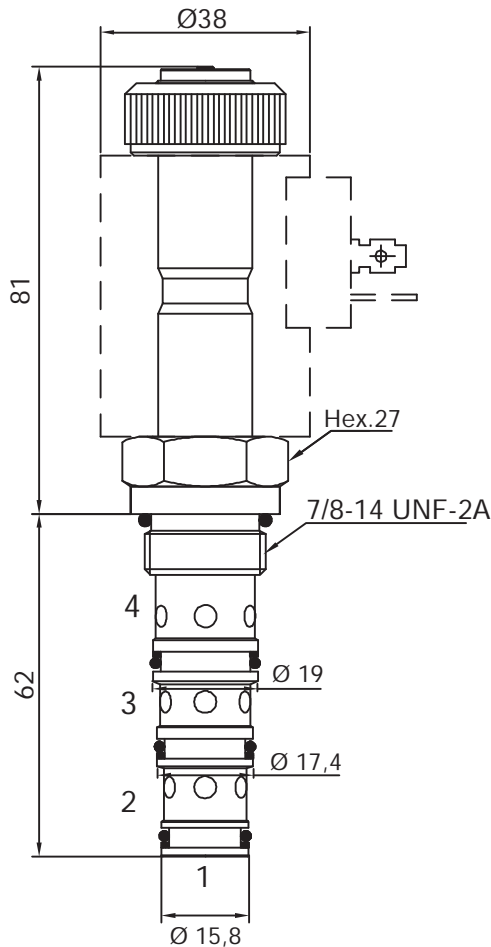
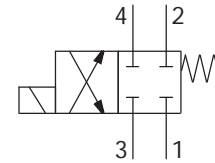


4 WAY 2 POSITION ELECTRIC SPOOL VALVE, DIRECT ACTING

- Flow **25 l/min**
- Max working pressure **250 bar**
- Leakage **100 cc/min**
- Seals **NBR and PTFE**
- Cartridge tightening torque **40 Nm**
- Ring nut tightening torque **5 Nm**
- Weight (with coil) **0,56 Kg**
- Cavity **C430000** page 226
- Body **171322** page 195
- Coil (to be ordered separately) **09801** page 181



Ordering code

0 4 1 3 3 0 0 0 0

