



DIPLOMATIC
HYDRAULICS

65 350/107 ED



VPP4M

PILOT OPERATED CHECK VALVE

SERIES 40

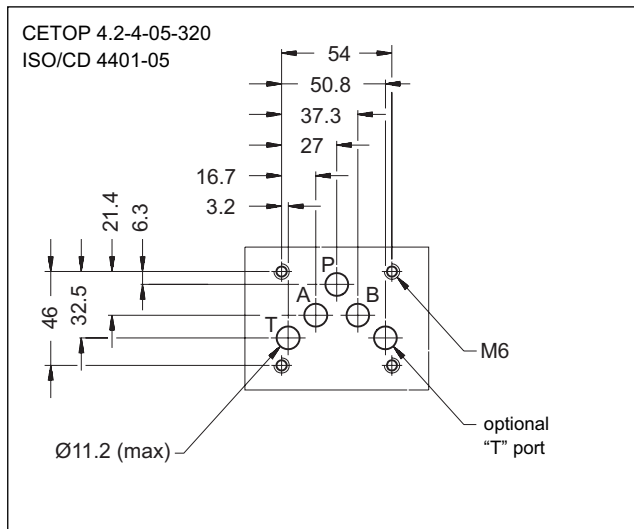
MODULAR VERSION

ISO 4401-05 (CETOP 05)

p max 320 bar

Q max (see table of performances)

MOUNTING INTERFACE



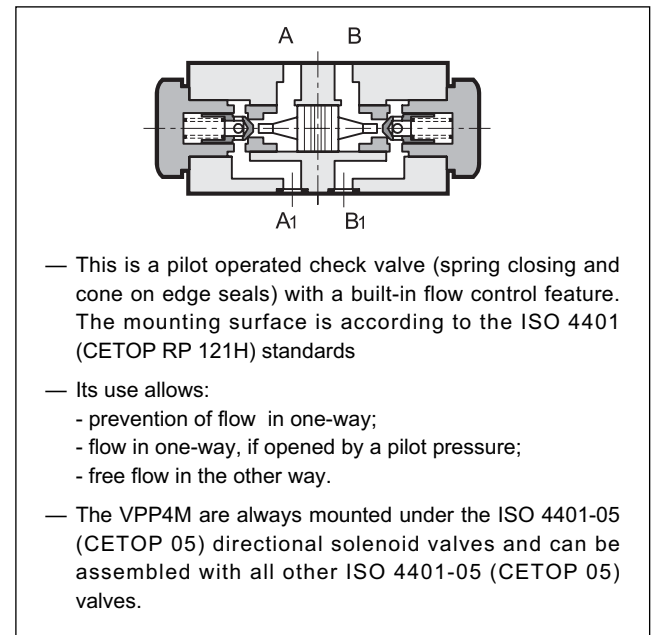
CONFIGURATIONS (see Hydraulic symbols table)

- Configurations "SA" - "SB": used to lock the actuator in one direction.
- Configuration "D": used to lock the actuator position in both directions.

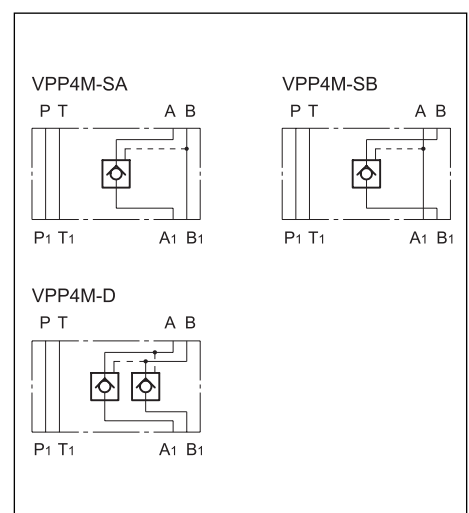
PERFORMANCES (measured with mineral oil of viscosity 36cSt at 50°C)

Maximum operating pressure	bar	320
Check valve cracking pressure		3
Maximum flow rate in controlled lines	l/min	65
Maximum flow rate in the free lines		100
Ratio between the pressure in the locked chambers and the piloting pressure		5,8:1
Ambient temperature range	°C	-20 / +50
Fluid temperature range	°C	-20 / +80
Fluid viscosity range	cSt	10 + 400
Fluid contamination degree	According to ISO 4406:1999 class 20/18/15	
Recommended viscosity	cSt	25
Mass: VPP4M-SA and VPP4M-SB	kg	2,9
VPP4M-D		3,1

OPERATING PRINCIPLE



HYDRAULIC SYMBOLS

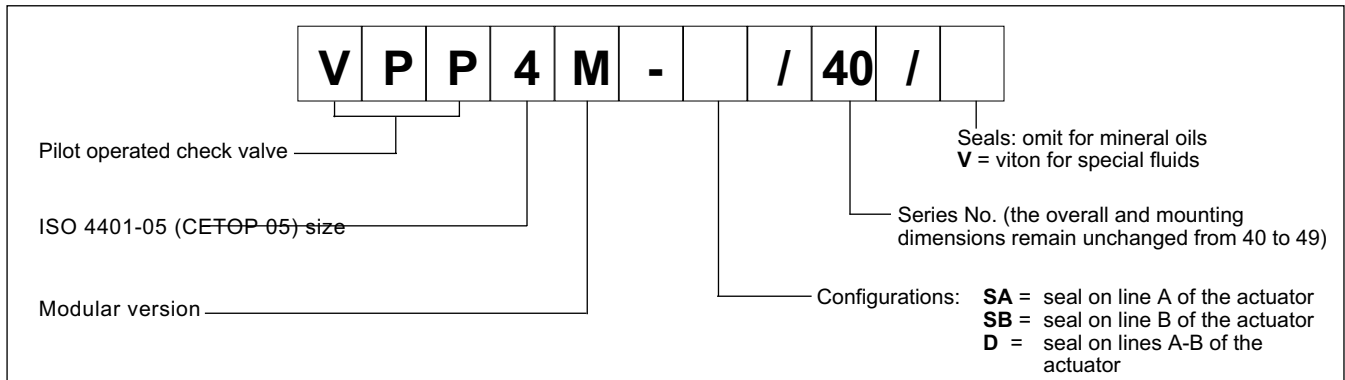




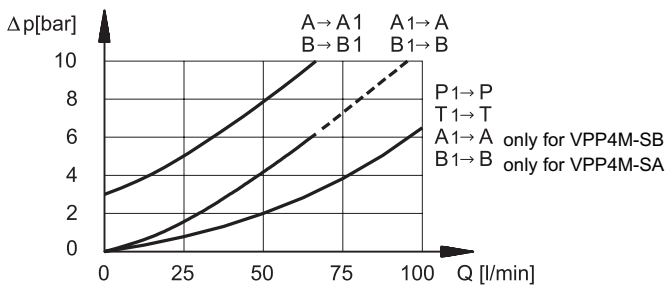
VPP4M

SERIES 40

1 - IDENTIFICATION CODE



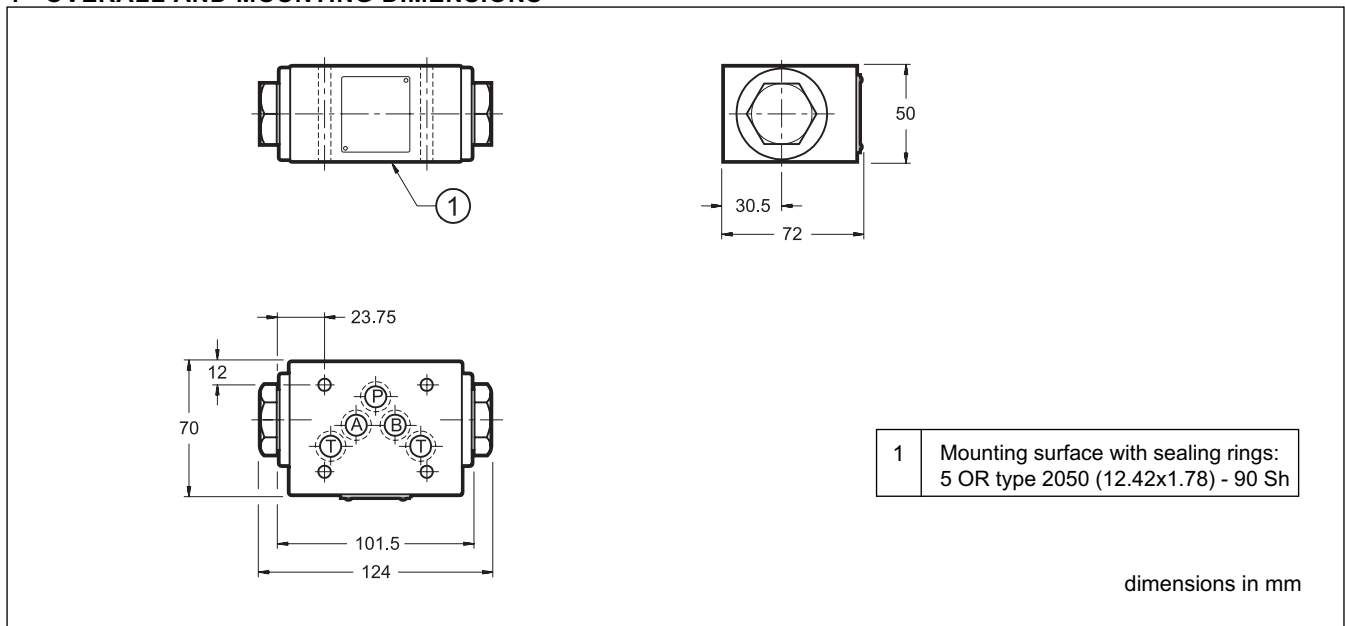
2 - CHARACTERISTIC CURVES (values obtained with viscosity of 36 cSt at 50°C)



3 - HYDRAULIC FLUIDS

Use mineral oil-based hydraulic fluids HL or HM type, according to ISO 6743-4. For these fluids, use NBR seals. For fluids HFDR type (phosphate esters) use FPM seals (code V). For the use of other kinds of fluid such as HFA, HFB, HFC, please consult our technical department. Using fluids at temperatures higher than 80 °C causes a faster degradation of the fluid and of the seals characteristics. The fluid must be preserved in its physical and chemical characteristics.

4 - OVERALL AND MOUNTING DIMENSIONS



DIPLOMATIC OLEODINAMICA SpA

20025 LEGNANO (MI) - P.le Bozzi, 1 / Via Edison
Tel. 0331/472111 - Fax 0331/548328